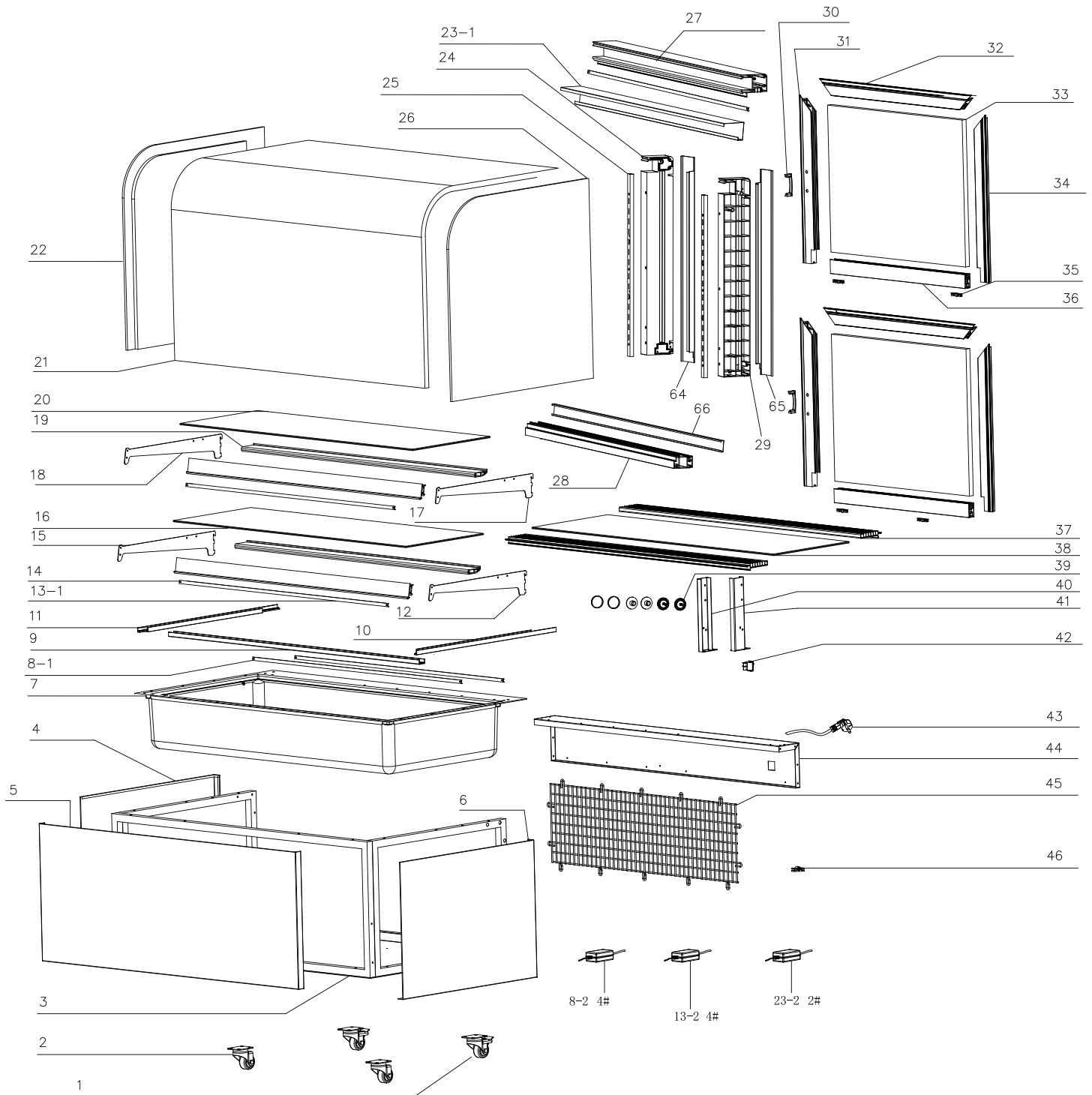


Parts Breakdown

Model DS-CN-0370 47103



Parts Breakdown

Model DS-CN-0370 47103

Item No.	Description	Position	Item No.	Description	Position	Item No.	Description	Position
71042	Rear Swivel Caster with Brake for 47103	1	68177	Left Top Shelf Holder for 47103	18	71114	Door Glide Wheel for 47103	35
79763	Swivel Front Castor without Brake for 47103	2	64749	Metal Shelf Support for 47103	19	71167	Bottom Door Frame for 47103	36
AG483	Base for 47103	3	71105	Top Glass Shelf for 47103	20	71119	Inlet and Outlet for 47103	37
68225	Right Cover for 47103	4	71102	Arc Front Glass for 47103	21	AD842	Bottom Glass for 47103	38
AF494	Front Cover for 47103	5	71103	Left Side Glass for 47103	22	71121	Screw Cover for 47103	39
AG484	Right Cover for 47103	6	AF496	Top LED for 47103	23-1	71171	Left Pole Fixer for 47103	40
71094	Evaporator Insulation for 47103	7	64751	#2 LED Transformer for 47103	23-2	71077	Right Pole Fixer for 47103	41
68208	Bottom LED for 47103	8-1	71164	Left Pole Cover for 47103	24	68196	Switch for 47103	42
64750	#4 LED Transformer for 47103	8-2, 13-2	71153	Shelf Holder for 47103	25	AF489	Power Cord for 47103	43
68209	Front Glass Fixer for 47103	9	71062	Right Side Glass for 47103	26	71129	Rear Frame for 47103	44
68272	Left Glass Fixer for 47103	10	71104	Upper Front Frame for 47103	27	71130	Back Grill for 47103	45
68271	Right Glass Fixer for 47103	11	71165	Bottom Frame for 47103	28	71133	Power Cord Fixer for 47103	46
68172	Right Bottom Shelf Holder for 47103	12	71065	Right Pole for 47103	29	AF497	Top Back Frame for 47103	47
71149	LED Lighter for 47103	13-1	71110	Door Handle for 47103	30	AF491	Left Back Frame for 47103	48
71150	Price Tags for 47103	14	AF488	Left Doorframe for 47103	31	AF492	Right Back Frame for 47103	49
68211	Left Bottom Shelf Holder for 47103	15	71111	Upper Door Frame for 47103	32	AF498	Bottom Back Frame for 47103	50
71100	Bottom Glass Shelf for 47103	16	64880	Right Side Glass for 47103	33			
68175	Right Top Shelf Holder for 47103	17	71113	Right Door Frame for 47103	34			